

# DTi-Ti's

## Push-Mount™ Cable Tie System



The Push-Mount Cable Tie System is designed for fast and easy assembly with no need for mechanical fastener reducing installation time and costs. It quickly secures and positions wire bundles, cables, and hoses, to panels. Extra stability is created from the push mount head design, which is contained, keeping cable ties from sliding during installation and application. The cable tie has a low profile height compared to standard designs increasing safety and eliminating snags, and cuts and abrasions to wires, cables, and hoses. The cable tie can be removed and replaced fast and easily by cutting the top crossbar.

### Features and Benefits:

- Reduction of installation time and its associated costs
- Low-profile, tamper-proof cable tie
- Rated for indoor and outdoor use
- Flame retardant per UL94 V-2
- RoHS compliant
- Tensile strength: 50lb (222N)
- Operating temperature rangeL
- -40°F to 185°F (-40°C to 85°C)

### Applications:

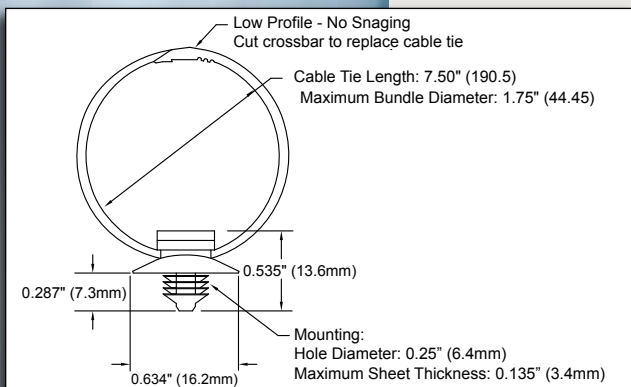
- Cell towers
- Aerial support
- Telecommunications
- Transportation



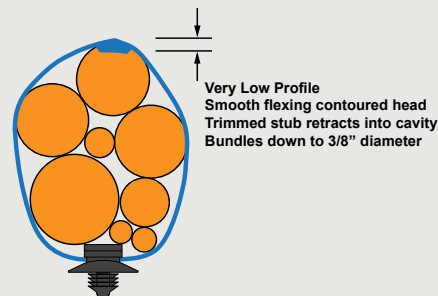
### Part Number: 0501-01

**Tolerances:** .xxx = ±0.005, .xx = ±0.015

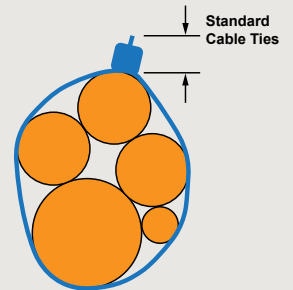
**Packaging:** Sealed poly bag in quantities of 100, 1000, or customer specified up to 1000 pieces



### DTi-Ti Push-Mount Cable Ties



### Standard



I.S. EN ISO 9001:2008 • AS9100-B/ISO 9001:2008 Certified. Registration No. AS19.4480  
Certified Vendor to Fortune 100 & 500 OEMs, JIT w/ MAJOR OEMs Worldwide, supported by International Distribution

**DTi device technologies, inc.**

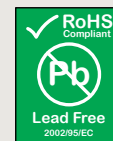
[www.devicetech.com](http://www.devicetech.com)

USA Toll Free: +1-800-669-9682

Phone: +1-508-229-2000 x 130

Fax: +1-508-229-2622

Email: [customerservice@devicetech.com](mailto:customerservice@devicetech.com)



The information contained in this data sheet is based on our experience to date and is believed to be reliable. It is intended as a guide for use by persons having technical skill at their discretion and risk. We do not guarantee favorable results or assume any liability in connection with its use. Dimensions contained herein are for reference purposes only. For specific dimensional requirements, consult the factory. This publication is not to be taken as license to operate under, or a recommendation to infringe upon any existing patents. This supersedes and voids all previous literature, etc. Device Technologies, Inc. expressly disclaims any and all express or implied warranties concerning its products including without limitation, warranty of fitness for a particular purpose and warranty of merchantability.

PM-1109/2M